

BioPass™

Pass Through

Floor standing airtight transfer chamber with onboard ventilation and integrated hydrogen peroxide based biodecontamination system designed for passing large equipment into a ISO Class 5 cleanroom in an aseptic manner.

BioPass provides a flush threshold enclosure to allow materials to be wheeled into the enclosure with the minimum of effort. Fully 316 L stainless steel assembly returning a cGMP design.

Industries Served

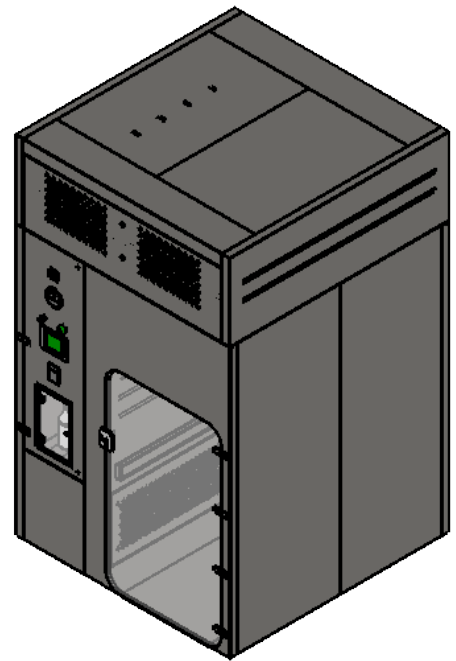
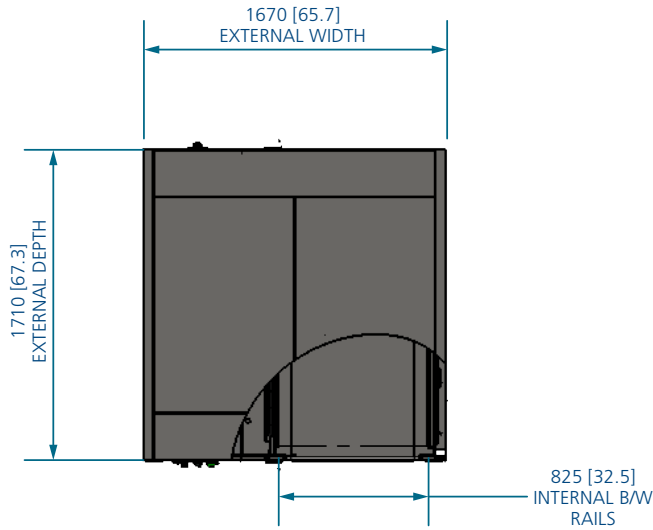
- Hospital
- Food, Beverages & Confectionary
- Manufacturing Facilities
- Veterinary Surgeries
- Dentist
- Primary Healthcare Facilities
- Pharmaceutical

Features

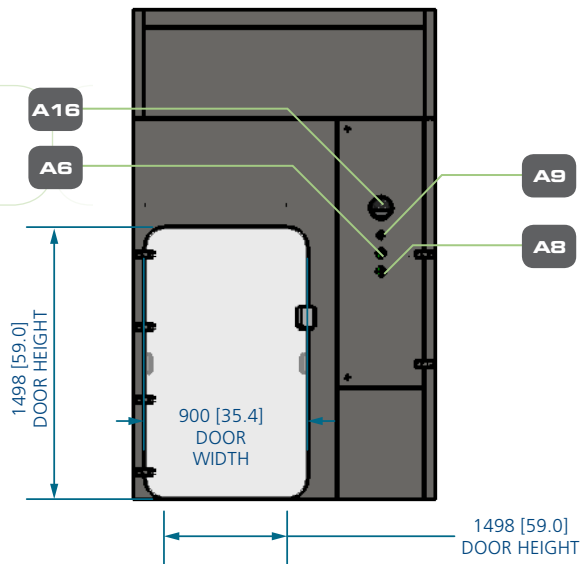
- The interior and cleanroom side face is made of 316 L stainless steel with a smooth interior and covered corners to ensure easy cleaning and biodecontamination. The interior surface is polished to 0.6 Ra μm or better and external surfaces exposed to cleanrooms 1.2 Ra μm or better. The cleanroom wall interface allows a flush finish with the surface for cleanliness.

- Chamber doors are constructed from FDA compliant materials with integrated FDA approved silicone inflatable seal around the perimeter. Doors shall give $>90^\circ$ opening for full access. The doors are not held closed with a mechanical latch, they are the same as our isolators where the seal locks them closed.
- Direct reading pressure gauges are provided to both sides of the pass through to give indication of the chamber pressure.
- Integrated with Esco BioVAP bio-decontamination system with PLC control, HMI operator interface and ticket roll printer to give hard copy of the bio-decontamination cycle.
- Interlocking doors to prevent opening at the same time and also to prevent the sterile unloading doors from opening until after a bio-decontamination.
- Optional on-board Catalytic Converter to allow air to be taken from the room and exhausted back to room, with interlocked safety exhaust H_2O_2 sensor. Avoids costly HVAC ducting.

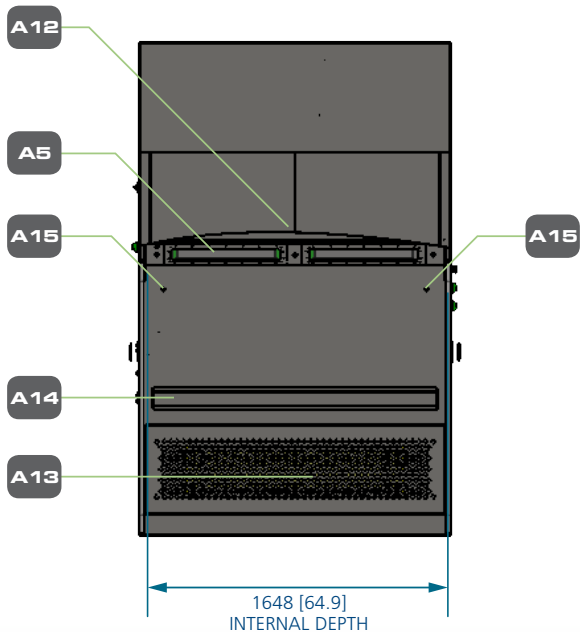
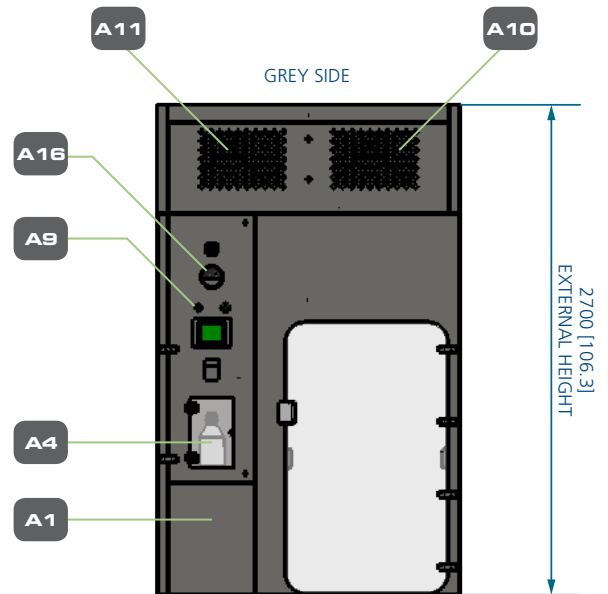
ENGINEERING DRAWING



CLEAN ROOM SIDE



GREY SIDE



- A1 Technical Housing
- A2 HMI (ON LOP)
- A3 H₂O₂ Ticket Printer (ON LOP)
- A4 H₂O₂ Bottle Loader
- A5 Chamber Light Assembly
- A6 Open Door Request Push Button
- A7 Chamber Alarm / Siren Assembly (ON LOP)
- A8 Door Available Indicator
- A9 Emergency Stop (Qty:2)
- A10 Air Inlet w/ Coarse Filter
- A11 Air Exhaust w/ Coarse Filter
- A12 Supply Hepa Filter
- A13 Exhaust Hepa Filter w/ Diffuser
- A14 Bumper Rails
- A15 Internal Safety Egress Button (Qty: 2)
- A16 Chamber Pressure

STANDARD INTERNAL DIMENSIONS

W x D x H (meters)	1.2 m x 0.9 m x 1.2 m	0.9 m x 1.6 m x 1.5 m	1.6 m x 1.6 m x 2.5 m	2 m x 2 m x 2.7 m	2 m x 3 m x 2.7 m	3 m x 4 m x 2.7 m
W x D x H (inches)	48 in x 35 in x 47 in	35 in x 66 in x 59 in	63 in x 63 in x 98 in	79 in x 79 in x 107 in	79 in x 119 in x 107 in	119 in x 158 in x 107 in
W x D x H (feet)	4 ft x 3 ft x 3 ft 11 in	2 ft 11.4 in x 5 ft 6 in x 4 ft 11 in	5 ft 3 in x 5 ft 3 in x 8 ft 2 in	6 ft 7 in x 6 ft 7 in x 8 ft 11 in	6 ft 7 in x 9 ft 10 in x 8 ft 11 in	9 ft 10 in x 13 ft 2 in x 8 ft 11 in

TECHNICAL SPECIFICATIONS

Air Classification:	ISO Class 5 (EUGMP Grade A)
Airflow Pattern:	Single Pass uni-directional airflow (not laminar)
Operating Pressure:	Chamber +50Pa with respect to the grey side area
Leak Tightness	The acceptable leakage rate of the chamber will be no greater than 0.5% vol/hr, equivalent to a class 3 Isolator
Lighting	Internal lighting shall be provided giving average 200 lux illumination over the whole area of the chamber when measured at 1 m above the floor level.
Noise Levels:	Less than 65dBA
Temperature:	Uncontrolled
Humidity:	Uncontrolled
Inlet Filtration:	HEPA H14 Filtration
Exhaust Filtration:	HEPA H14 Filtration
Pre-Filter:	G4 Pre-filters.
Bio-decontamination:	A minimum of log 6 reduction in spore forming micro-organisms validated using a BI challenge validation

Integrated Bio-decontamination System

Esco Pharma has developed an effective hydrogen peroxide based bio-decontamination system capable of achieving a log 6 reduction in bio-burden. The spore log reduction has been validated by biological indicator challenge using biological indicator stainless steel ribbons populated with *Geobacillus Stearothermophilus* spores.



SANITIZATION
Two log-10²



DISINFECTION
Five log-10⁵



STERILIZATION
Six log-10⁶

Optional Items

DESCRIPTION

H₂O₂ Monitoring System - (One per Biopass Needed)

H₂O₂ sensor 0-100ppm to ensure the concentration of hydrogen peroxide inside the chamber to confirm end of aeration

Remote Catalytic Converter

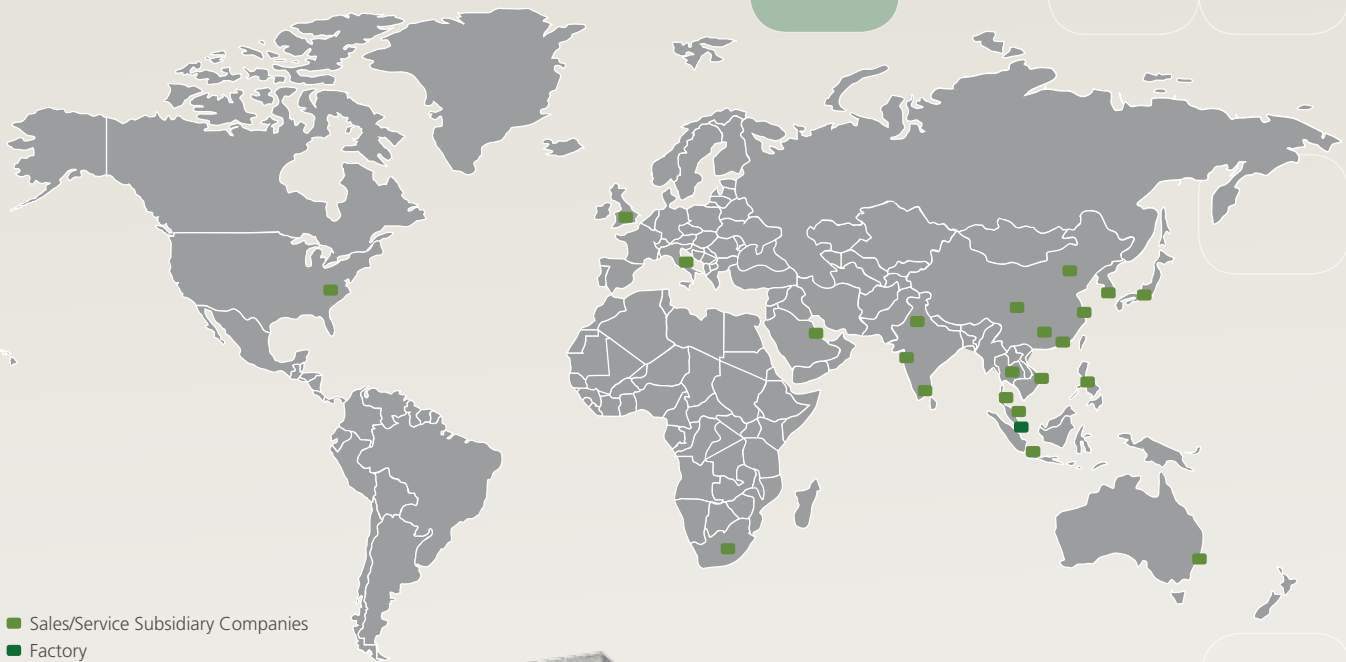
Allows aeration of the system and operation without the need for site ducting. The system can exhaust to the room following aeration



H₂O₂ Monitoring System



Catalytic Converter



■ Sales/Service Subsidiary Companies
■ Factory



Pharma Equipment Product Range

- Downflow Booths
- General Processing Platform Isolators
- Aseptic Containment Isolators
- Weighing & Dispensing Containment Isolators
- Laminar Flow Trolleys (Horizontal & Vertical)
- Dynamic & Static Pass Boxes
- Ceiling Laminar Airflow Units

Esco Pharma dedicated R&D engineers have a combined 30 years of experience in systems design of a variety of containment and aseptic process equipment. Compared to industry averages, Esco invests a significant percentage of annual revenues in research and development. As a result of our investment, and with continuous feedback and idea evaluation among our research, global sales, marketing, purchasing and manufacturing teams, Esco products reflect the best contemporary designs in performance, ergonomics and customer satisfaction. www.escopharma.com

ESCO PHARMA[®] PLATFORM SPECIALIST.

Esco Pharma Pte Ltd
21 Changi South Street 1 Singapore 486777 • Tel: +65 65420833
Fax: +65 65426920 • Email: csis.pharma@escoglobal.com

Esco Technologies, Inc.
2512 Metropolitan Drive, Suite 120 B
Feasterville- Trevose, PA 19053-6738
Tel: 215 322 2155 • Email: eti.pharma@escoglobal.com

Esco Gb Ltd
Unit 9, Century Park Networkcentre, Dearne Lane,
Manvers, Rotherham, South Yorkshire, S63 5DE.
Tel: +44 (0) 1709 761 669 • Email: egb.info@escoglobal.com

Esco Global Offices: Bahrain | Bangladesh | China | India | Indonesia | Italy | Japan Malaysia | Philippines
Russia | Singapore | South Africa | South Korea | Thailand United Kingdom | USA | Vietnam

