

LFHT/LFVT

Laminar Flow Horizontal Trolley / Laminar Flow Vertical Trolley

Introduction

Laminar Flow Horizontal or Vertical Trolleys provide enhanced aseptic work zones by utilizing uni-directional airflow to purge the working environment from contaminants. It allows aseptic transfer of materials throughout the pharmaceutical plant.

Laminar Trolleys are customizable units that can provide:

- Aseptic zones for product protection with single pass or re-circulatory flow.
- Operator or environment protection with re-circulatory airflow and negative pressure with respect to ambient.

Applications

- Transfer of lyophilized vials to and from freeze driers.
- Transfer of process skids or feed hoppers.
- Provision of aseptic work zones.

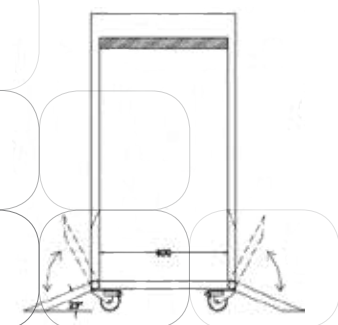
Basic Principles

- Room air is drawn via an EU6 prefilter before entering perforated diffuser into the supply plenum.
- Airflow passes through a baffle system prior to gel seal HEPA filtration, creating a low decibel aseptic work zone for operator comfort.

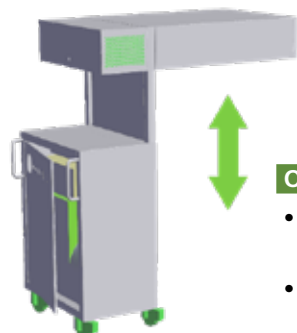
Standard Features

- Easy to clean design with single welded construction.
- Tempered glass doors
- Stainless steel hinges
- HEPA/ULPA knife edge gel-sealed design better than conventional gasket sealed.
- Sentinel™ Silver microprocessor control with audio and visual alarms for downflow velocity.
- Zoned magnehelic gauges for filter loading
- PU Wheels
- Special food grade FDA approved air tight seal
- 10 mm glass windows with plastic latches
- Magnehelic differential pressure gauges for monitoring filter lifespan.
- Battery for onboard power when not connected to main building supply.
- Emergency stop

Optional Configurations



- ULPA-filtered air
- Unfiltered / potentially contaminated air
- Room air / Inflow air



Hydraulic height adjustable

Options

- Hydraulic adjustable stands
- Electromagnetic interlocking doors
- Splashproof electrical outlets
- PVC Curtains
- Main body is electro-galvanized steel with ISOCIDETM antimicrobial coating

Airflow Patterns

- Single Pass
- Re-circulatory

Guide to Models

LFVT - A-EG - - S-P-2

Product Code	MOC-	Internal Width	Internal Dimension	Internal Height	Airflow Pattern	Airflow Pressure	Battery Life (Hrs)
V- Vertical airflow	A-EG Steel Exterior/Interior with SS304 base.	TBD	TBD	TBD	S-Single Pass R-Recirculatory	P-Positive N-Negative	Two hours (standard)
H-Horizontal airflow	B-SS Full SS304 right angle corners.	TBD	TBD	TBD			

* TBD - To be discussed according to the customers' preference.



- Air Shower
- Aseptic Containment Isolator (ACTI)
- Ceiling Laminar Airflow Units
- Cleanroom Transfer Hatch
- Containment Barrier Isolator (CBI)
- Compounding Aseptic Isolator
- Compounding Aseptic Containment Isolator
- Downflow Booth (DFB)
- Dynamic Floor Label Hatch
- Dynamic Pass Box
- Evidence Drying Cabinet
- Laminar Flow Storage Cabinet
- General Processing Platform Isolator (GPPI)
- Healthcare Platform isolator
- Laminar Flow Horizontal Trolley
- Laminar Flow Straddle Units, Single and Double Laminar Flow Vertical Trolley
- Pass Box
- Soft Wall Cleanroom
- Sputum Booth
- Ventilated Balance Enclosure (VBE)
- Weighing and Dispensing Containment Isolator (WDCI)

Since 1978, Esco has emerged as a leader in the development of controlled environment, laboratory and pharmaceutical equipment solutions. Products sold in more than 100 countries include biological safety cabinets, fume hoods, ductless fume hoods, laminar flow clean benches, animal containment workstations, cytotoxic cabinets, hospital pharmacy isolators, and PCR cabinets and instrumentation. With the most extensive product line in the industry, Esco has passed more tests, in more languages, for more certifications, throughout more countries than any biosafety cabinet manufacturer in the world. Esco remains dedicated to delivering innovative solutions for the clinical, life science, research and industrial laboratory community. www.escoglobal.com.

ESCO

PHARMA[®]

Esco Pharma Pte Ltd
21 Changi South Street 1 Singapore 486777 • Tel: +65 65420833
Fax: +65 65426920 • Email: csis.pharma@escoglobal.com

Esco Technologies, Inc.
2512 Metropolitan Drive, Suite 120 B
Feasterville- Trevose, PA 19053-6738
Tel: 215 322 2155 • Email: eti.pharma@escoglobal.com

Esco Gb Ltd
Unit 2 R-Evolution @ Gateway 36, Kestrel Way, Barnsley, S70 5SZ
Tel: +44 (0) 1226 360 799 • Email: egb.pharma@escoglobal.com